

Special Tools and Equipment



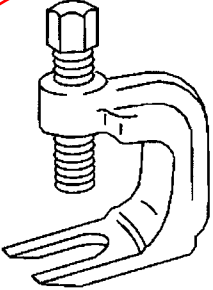
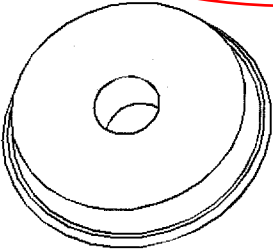
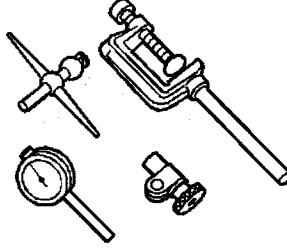

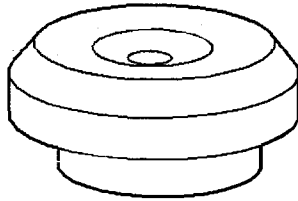
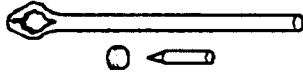
Illustration	Tool Number/ Description
 <p data-bbox="403 520 432 538">982</p>	<p data-bbox="550 327 660 354">J 2619-01</p> <p data-bbox="459 360 761 416">Slide Hammer With 1/2 X 13 Adapter</p>
 <p data-bbox="395 878 432 897">5335</p>	<p data-bbox="564 685 646 712">J 5590</p> <p data-bbox="464 718 756 774">Rear Pinion Bearing Cone Installer</p>
 <p data-bbox="384 1239 432 1257">65363</p>	<p data-bbox="555 1058 655 1085">J 6627-A</p> <p data-bbox="491 1091 729 1118">Wheel Stud Remover</p>
 <p data-bbox="384 1597 432 1616">12439</p>	<p data-bbox="564 1404 643 1431">J 7817</p> <p data-bbox="469 1437 751 1493">Front Pinion Bearing Cup Installer</p>

Illustration	Tool Number/ Description
 <p data-bbox="1107 520 1155 538">25473</p>	<p data-bbox="1289 339 1367 366">J 8001</p> <p data-bbox="1241 372 1431 399">Dial Indicator Set</p>
 <p data-bbox="1118 878 1155 897">7016</p>	<p data-bbox="1289 700 1367 727">J 8092</p> <p data-bbox="1257 733 1410 760">Driver Handle</p>
 <p data-bbox="1118 1239 1155 1257">5322</p>	<p data-bbox="1278 1044 1378 1071">J 8017-2</p> <p data-bbox="1198 1077 1465 1133">Differential Side Bearing Remover Plug</p>
 <p data-bbox="1118 1597 1155 1616">1507</p>	<p data-bbox="1273 1404 1383 1431">J 8614-01</p> <p data-bbox="1177 1437 1485 1493">Pinion Flange Remover and Installer</p>