

# 6A3A-1 of this section.

## 1. Battery negative cable assembly.

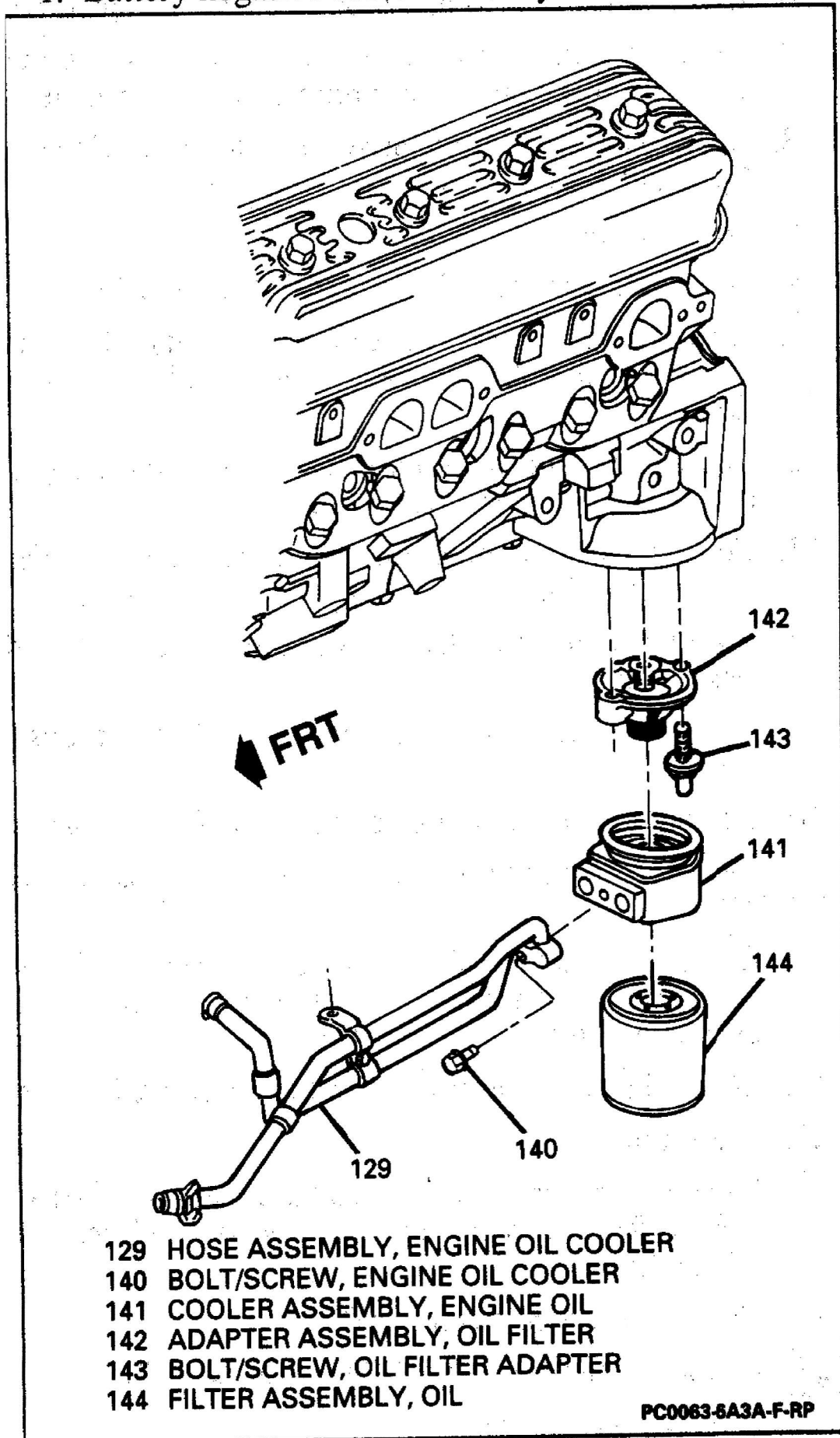


Figure 21 – Engine Oil Cooler and Hose Assembly