

Figure 13 - Taillamps - (Chevrolet)

2. Taillamp, turn signal and backup lamp bulbs (127, 128, 129 and 130) and sockets to taillamp (126).

- Rotate socket 90 degrees in taillamp (126) to lock and secure.

3. Taillamp (126) to rear end finishing panel.
4. Nuts (131) attaching taillamp (126) to rear end finishing panel.


 **Tighten**

- Nuts (131) to 3 N.m (27 lb. in.).

5. Position rear compartment trim.

**PONTIAC**

Figure 14

 **Remove or Disconnect**

1. Reposition rear compartment trim.
2. Nuts (31) attaching taillamp (26) to rear end panel.
3. Taillamp (26) from rear end panel.
4. Taillamp filler (40), if necessary.

- Both taillamps (26) must be removed to replace taillamp filler (40).

5. Taillamp, turn signal and backup lamp bulbs (27, 28 and 30) and sockets from taillamp (26).
6. Taillamp, turn signal and backup lamp bulbs (27, 28 and 30) from sockets.

 **Install or Connect**

**NOTICE:** Refer to "Notice" on page 8B-1.

1. Taillamp, turn signal and backup lamp bulbs (27, 28 and 30) to sockets.
2. Taillamp, turn signal and backup lamp bulbs (27, 28 and 30) and sockets to taillamp (26).

- Rotate socket 90 degrees in taillamp (26) to lock and secure.

3. Taillamp filler (40), if removed.
4. Taillamp (26) to rear end panel.
5. Nuts (31) attaching taillamp (26) to rear end panel.


 **Tighten**

- Nuts (31) to 3 N.m (27 lb. in.).

6. Position rear compartment trim.

**Turn Signal Lamp Flasher**

Figure 15

 **Remove or Disconnect**

1. Clip (33) from driver knee bolster bracket.
2. Electrical connector.
3. Flasher (32) from clip (33), if necessary.

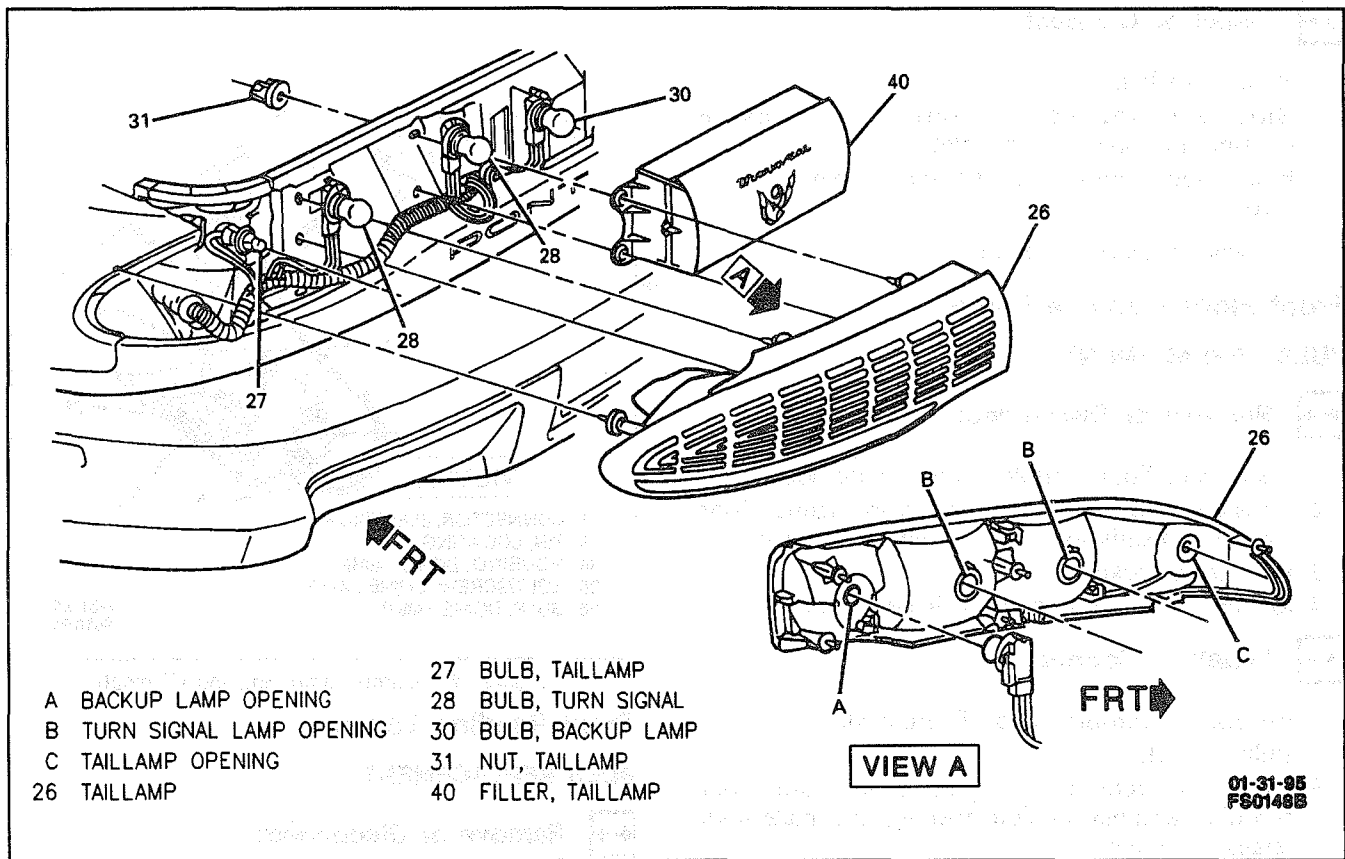


Figure 14 - Taillamps - (Pontiac)

**Install or Connect**

1. Flasher (32) to clip (33), if removed.
2. Electrical connector.
3. Clip (33) to driver knee bolster bracket.

**INTERIOR LIGHTING**

For information on warning/indicator lamps, instrument cluster lamps, etc. Refer to SECTION 8C. For circuit information, refer to SECTION 8A.

**Ashtray Lamp**

**BULB REPLACEMENT**

**Remove or Disconnect**

1. Open ashtray opening cover.
2. Ashtray.
3. Pull bulb, socket and shield through opening in front floor console.
4. Bulb and socket from shield.
5. Bulb from socket.

**Install or Connect**

1. Bulb to socket.
2. Shield to bulb and socket.
3. Bulb, socket and shield to opening in front floor console.
4. Ashtray.
5. Close ashtray opening cover.

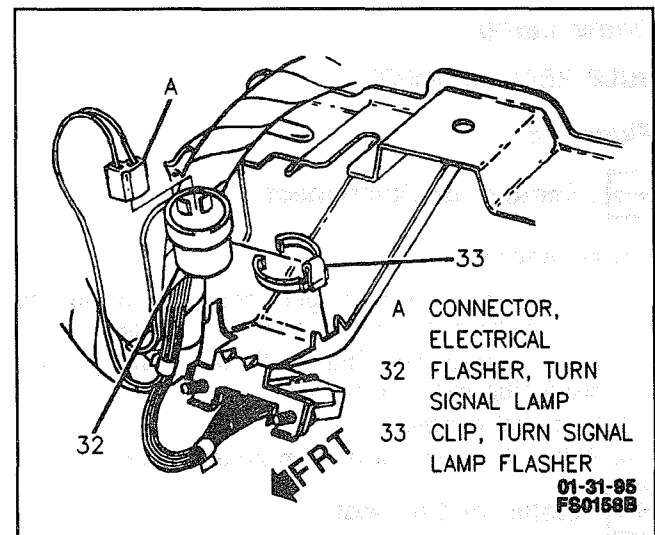


Figure 15 - Turn Signal Lamp Flasher

**Automatic Transmission Range Selector Indicator Lamp**

**BULB REPLACEMENT**

**Remove or Disconnect**

1. Front floor console transmission opening trim plate.
2. Bulb and socket from front floor console transmission opening trim plate.
3. Bulb from socket.